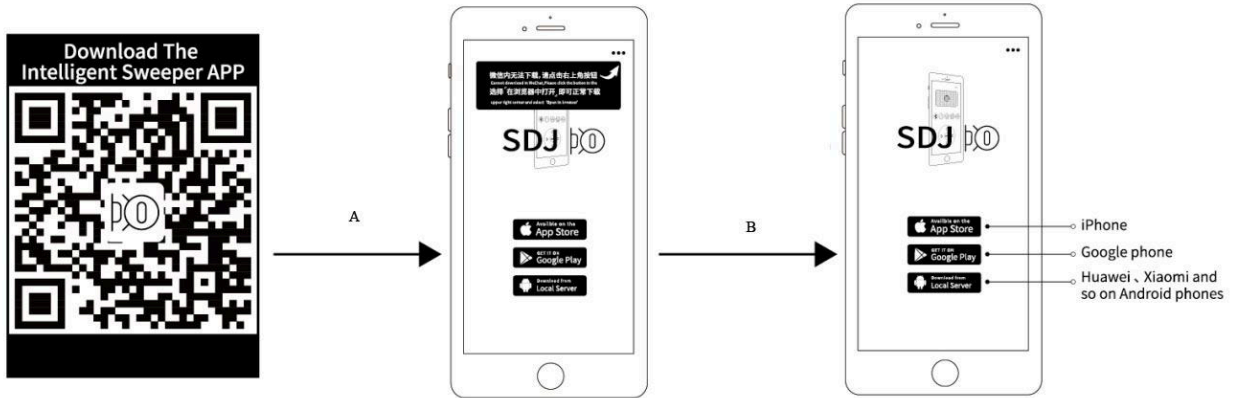


BowAI OB8s Max Smart Robot Vacuum Cleaner - 2000Pa, 7.7W



APP download and connection

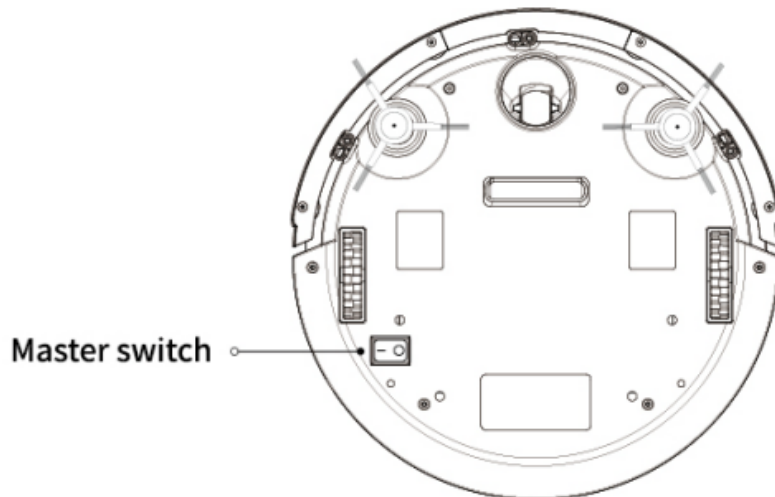
1. The mobile phone scans the QR code, downloads and install the product APP.



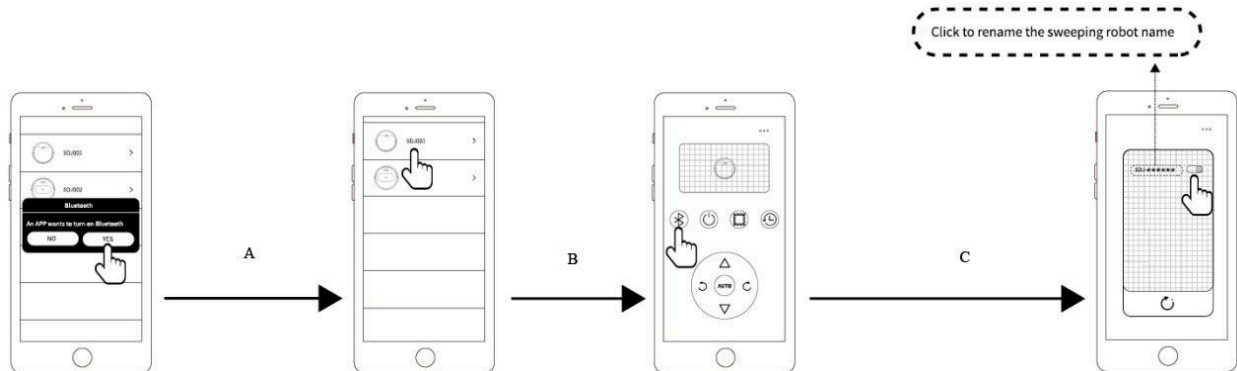
- A. Scan the QR code on the phone's WeChat, Click on the upper right to open a browser
- B. Select the APP installation package of the same model according to the type of mobile phone

2. Make sure that the power of the sweeping robot is sufficient. Master switch

 According to the "-" state.

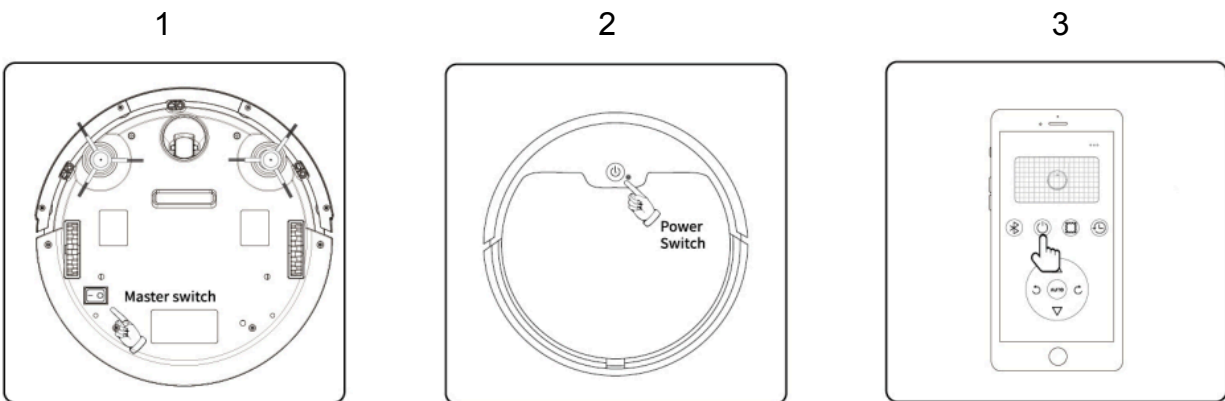


3. Open the APP to connect the sweeping robot.



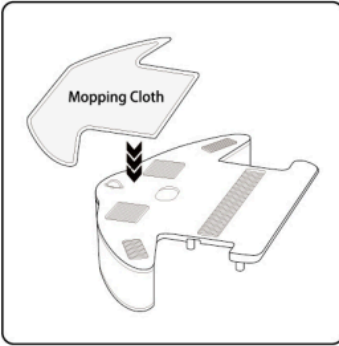
- A. Open the APP and Bluetooth dialog box will pop up automatically. Click "YES".
- B. Click SDJ001 to enter.
- C. Click on the Bluetooth key, in the dialog box, select the name of cleaning robot, Click on - Connected successfully.

Operation Procedure



1. Bottom master switch, according to the "-" state.
2. Boot mode on: Press cleaning robot power switch start.
3. Boot mode two: The key to operating the APP - start the sweeping robot.

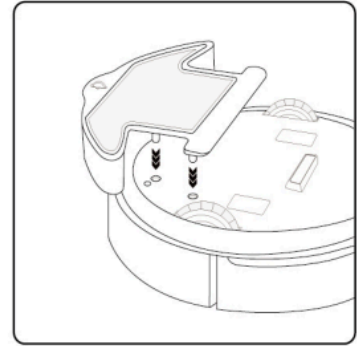
4



5

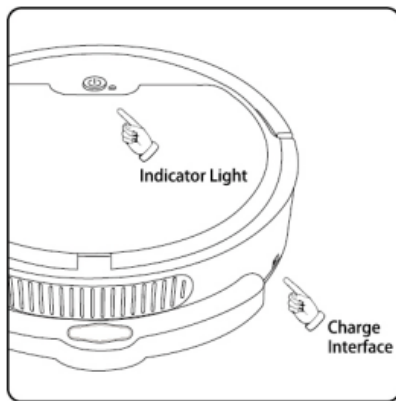


6

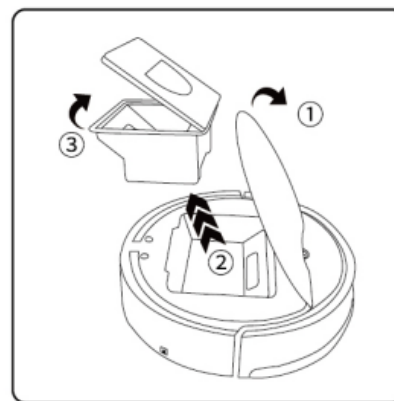


4. Paste mopping cloth on the bottom of the product.
5. Open the water inlet cover of the water tank and plug the cover tightly after filling.
6. Align the column of the water tank with the hole and press it down for installation.

7

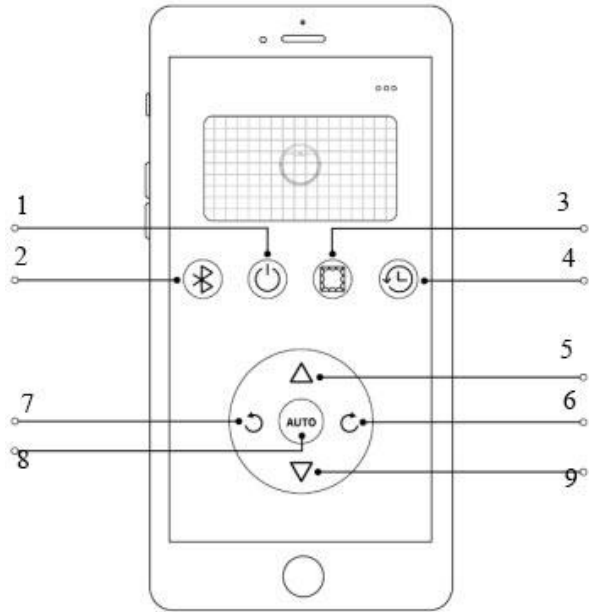


8

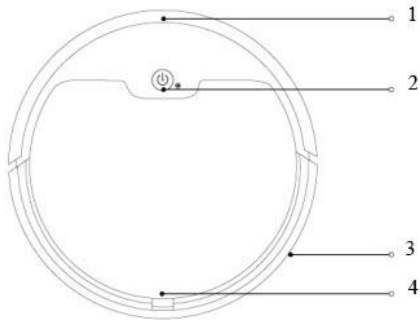


7. When the product is working the blue light is always on. When the battery is low, the blue light flashes and stops working. When the product is charged, the indicator light is red, and the full charge indicator light is off.
8. (1) Open the magnetic cover, (2) Raise upward the dust box, (3) Open the dust box to take out the garbage and reload the box for next use.

Phone APP function

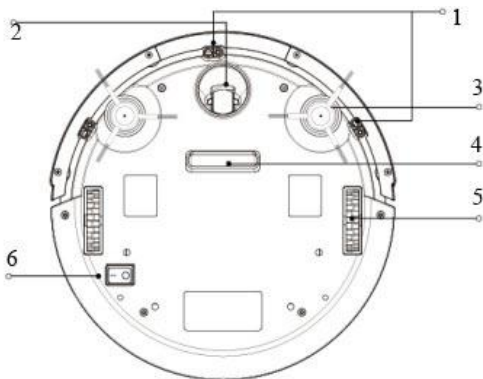


1. (Turn off the host) On-off key
2. Bluetooth key (Connected to the sweeper)
3. Edge key (Mandatory edge cleaning)
4. Make an appointment to key (Scheduled to open within 24 hours)
5. Forward key (Main engine forward)
6. Right key (Clockwise rotation)
7. Left key (Counter clockwise rotation)
8. Smart key (Automatic cleaning)
9. Back Key (Main engine back)



Machine Front View

1. Front impact bar
2. Switch
3. Charge interface
4. Magnetic machine cover



Machine Bottom View

1. Anti-drop induction
2. Omni-directional wheel
3. Side brush
4. Suction inlet
5. Main-wheel
6. Master switch