



Recorder Instruction Manual

Please read the manual before using it.

Statement:

1. First, thanks for using our company's digital products!
2. Please read the manual before using for the proper use of it.
3. As for the information, please back up on your own. Our company takes no responsibility to any loss of data caused by abnormal operation of software, hardware, or product repair, or battery changing, or other accidents, also the loss caused indirectly by these reasons. Meanwhile, we also can't control the possible misunderstanding of the manual from the customer. Thus, our company won't take charge of accidental damage caused by using this manual, also the third party's claim for compensation caused by using this manual. (The product system will occur some part of the memory, so it's normal if there's any difference with the standard memory)

Note:

1. Please do not attempt to open, repair or modify the product.
2. Please do not use this product in the region with prohibited use sign of electronic products (such as airplane, etc).
3. Please do not put in the mouth of products or accessories.
4. Please do not put the product into water or other liquids.
5. Please do not use this product in special cold, hot, humid or dusty environments.

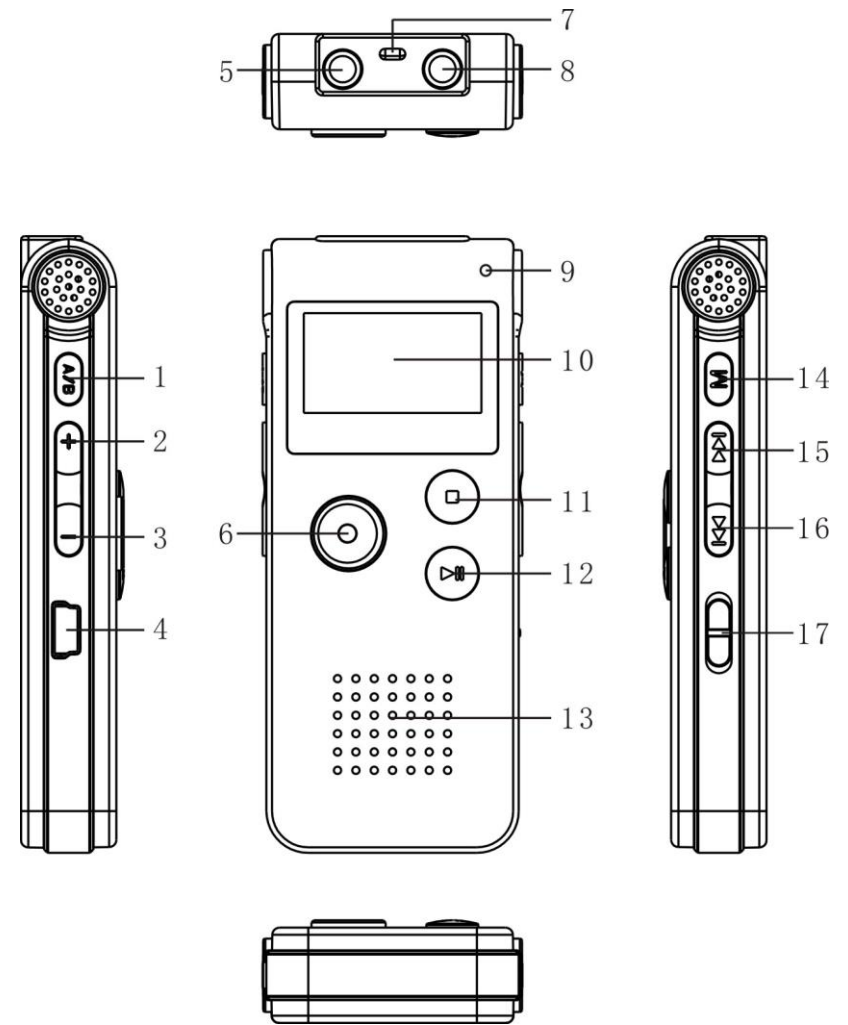
Warnings:

1. Please do not drop the product itself or its parts, for avoiding malfunctions.
2. Please do not keep the product under the bright light, or heat, for extending the life span of the product itself.
3. Please charge it sometimes if leave it unused for a long period, to avoid losing battery function.
4. In order to expand the life span of the battery, please don't use it when charging.
5. Please do not force to remove or waggle up and down, side to side

to connect accessories (For example: headphone, microphone, USB connection, etc.).

6. This machine is for learning tool, our company will out of any law responsibility caused by the economical or commercial usage.
7. Please don't set it under 60°C environment (such as: sauna room, inside the packed car), it might reach to 80°C inside the car.
8. Our company takes no responsibility to any loss of data when using the product or service. So if there is important information in the product memory, please back up on your own.
9. Please note that this product is prohibited for illegal use. For example: for the privacy of others or eavesdropping.

Product description of each part:



- | | | |
|--------------------|---------------------|----------------------|
| 1: DEL/A-B | 7: Hole for hanging | 13: Inner microphone |
| 2: Vol ►► | 8: Earphone jack | 14: Menu key |
| 3: Vol ◄◄ | 9: Record lamp | 15: Play ◄◄ |
| 4: USB jack | 10: Screen | 16: Play ►► |
| 5: Microphone jack | 11: Stop key | 17: Power key |
| 6: Record key | 12: Play/Pause | |

The basic application method:

● Main function section



Play record

System setting

Play music

● Special button operation specification

In the manual, “short press” “long press” appear frequently, their meanings as follows:

1. **Short press:** After pressing the button, then leave the finger immediately.
2. **Long press:** After pressing the button, keep it for a while , until the screen with related contents.

The basic application method

● Turn on the power

1. Check the inner lithium battery enough or not.
2. Set the “ON”, after initialization, the screen with “play record interface”

● Turn off the power

1. When the machine is in standby mode, set to “OFF”, then the machine turned off;
2. When the machine is in the stop state, press the “Play” button for a few seconds, the machine shutdowns after showing “Bye-Bye”, which can only turn off the working state, can’ t turn off the power. If no use in a long period, please turn off the power “OFF”, which could save power.
3. During record, if the battery is going to use up, then it will

shutdown automatically.

※Suggestion: Please stop the machine by “PLAY/PAUSE” , then turn off the power by “OFF” . If turn off the power directly, it will reset to defaults.

● Record

1. **Start to record :** Turn on the power, machine came into record interface, short press the “REC” to enter default state, when the record lamp in a long flash, and the data in the upper screen start to change, which means the record state.
2. **Pause record :** During record, short press “REC” for pausing record, lamp and the data in the upper screen flash, cancel pausing, then short press again the “REC” .
3. **Save record :** During record process, short press “Pause” button, “Save” appears on the screen. Enter into play/standby mode. Repress “PLAY” button, will play current record file.
4. **Turn off record lamp :** During record process, short press “Menu M” to turn off record lamp, then short press again “Menu M” to turn on record lamp.

● Play/ Pause

Under working interface, short press “Play◀◀” or “Play▶▶” to choose play record or play music. Short press “Menu M” to enter play interface, short press “Play▶▶” to start play, then short press again “Play▶▶” to pause/play.

● Change playing content

Under play state, short press “Play◀◀” or “Play▶▶” button to change playing content.

- **Change music file/record file mode**

Under playing music file or record file state, short press “Menu M” to exit to main menu, short press “Play◀◀” or “Play▶▶” to choose voice play or music play, short press “Play▶||” for playing confirmation.

- **Adjust volume**

Under playing music file or record file state, short press “Volume” button, then will show the volume degree, press “Volume+” to increase volume, press “Volume-” to decrease volume, and there’ ll be volume respond on the screen. After adjustment, short press “Play▶||” to save the volume and exit the volume adjustment mode. (It’ ll exit automatically if there’ s no operation in 10 seconds.)

- **Choose play◀◀ and play▶▶, Fast forward, Rewind**

Under playing music file or record file state, short press “Play◀◀” or “Play▶▶” to choose the next play file, long press “Play◀◀” or “Play▶▶” to fast forward, rewind.

- **A-B repeating**

When playing record/music file, short press “DEL/A-B” to set repeat starting point A, then short press “DEL/A-B” to set repeat ending point B. There’ ll be “A-B” in screen, repress shortly “DEL/A-B” to repeat the content between A-B, then short press “DEL/A-B” to exit “A-B” repeat mode. (**Default: It back to normal playing after repeating five times**)

- **Delete file**

1. **Delete file :** At the music / record playing standby or pause interface, short press “DEL/A-B” to choose delete, short press “Play◀◀” or “Play▶▶” to choose delete single file/ whole file, exit, then short press “Menu M” to confirm delete, then “deleting” showed on the screen.
2. **Cancel deleting :** If need to cancel deleting, choose “EXIT”

and short press “Play▶||” to cancel deleting, or press “Play▶||” to exit directly.

※**Warning: “Delete all” means to delete forever, the file can’ t be back, please be cautious.**

- **Set to play**

Under playing mode, short press “Menu M” to set the playing menu (cycle mode, sound effect mode, repeat mode, repeat time, repeat interval, exit), short press “Play◀◀” or “Play▶▶” to choose as follows:

1. **Cycle mode:** Short press “Menu M” to enter cycle mode, short press “Play◀◀” or “Play▶▶” to operate. (normal mode, single mode, full mode, exit), short press “Play▶||” or “Menu M” to confirm and exit the playing interface.
2. **Sound effect mode:** Short press “Menu M” to enter sound effect mode, short press “Play◀◀” or “Play▶▶” to operate (nature, rock, pop, classic, soft, jazz, mega bass), short press “Play◀◀” or “Play▶▶” to confirm and exit the playing interface.
3. **Repeat mode:** Short press “Menu M” to set the repeat start A, repress shortly “DEL/A-B” to set repeat end B, There’ ll be “A-B” in screen, repress shortly “DEL/A-B” to repeat the content between A-B, then short press “DEL/A-B” to exit “A-B” repeat mode. (**Default: It back to normal playing after repeating five times**)
4. **Repeat time:** Short press “Menu M” to set repeat time, short press “Play◀◀” or “Play▶▶” to choose time (0-10), short press “Play▶||” or “Menu M” to confirm and exit the playing interface.
5. **Repeat interval:** Short press “Menu M” to set repeat interval, short press “Play◀◀” or “Play▶▶” to choose time (0-10),

short press “Play▶▶” or “Menu M” to confirm and exit the playing interface.

- **System setting**

Under power on interface, short press “Please press ◀◀ / ▶▶ to input code”, short press “Menu” to enter next code setting, choose system setting, short press “Menu” to enter system setting, short press “Play◀◀” or “Play▶▶” to choose as follows

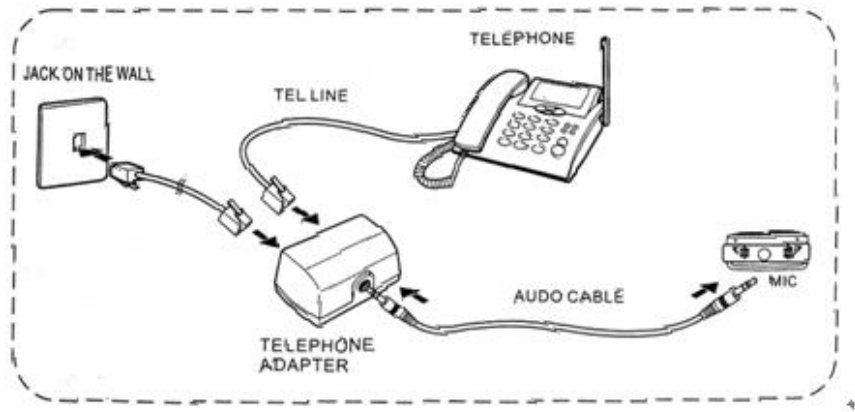
1. **System time:** Short press “Menu M” to enter time setting interface, short press “Vol▶▶” or “Vol◀◀” to operate (year/month/day/hour/minute/second), short press “Play◀◀” or “Play▶▶” to set those accordingly, then short press “Menu M” to confirm and exit the playing interface.
2. **Repeat type:** Short press “Menu M” to enter repeat type, short press “Play◀◀” or “Play▶▶” to choose (high-quality recordings HQ 192Kbps, high-quality sound control 192Kbps VOR, long-time recording 32Kbps, long-time voice control 32Kbps VOR, high-fidelity recording SHQ 384VOR, then short press “Menu M” to confirm and exit to menu setting.
3. **Recording origin:** Short press “Menu M” to enter recording origin, short press “Play◀◀” or “Play▶▶” to choose (microphone, input music, exit), short press “Menu M” to confirm and exit to menu setting.
4. **Monitor switch:** Shortly press “Menu M” to enter monitor switch, short press “Play◀◀” or “Play▶▶” to choose (Open / close monitor), short press “Menu M” to confirm and exit to menu setting.
5. **Backlight time:** Shortly press “Menu M” to enter backlight time setting, short press “Play◀◀” or “Play▶▶” (0-29) to adjust, short press “Menu M” to confirm and exit to menu setting.
6. **Language choice:** Shortly press “Menu M” to enter this interface, short press “Play◀◀” or “Play▶▶” to choose language,

then short press “Menu M” confirm and exit to menu setting.

7. **Shut down setting:** Shortly press “Menu M” to enter this interface, short press “Play◀◀” or “Play▶▶” to choose (Power saving mode, Sleep mode), short press “Menu M” to enter, short press “Play◀◀” or “Play▶▶” to adjust time, short press “Menu M” to confirm and exit to menu setting.
8. **Comparing adjustment:** Shortly press “Menu M” to enter interface, short press “Play◀◀” or “Play▶▶” to choose comparing light (01-15), short press “Menu M” confirm and exit to menu setting. The lighter of the comparing light, the brighter of the screen.
9. **Storage situation:** Shortly press “Menu M” to enter interface, you can check the total space and the used space of the machine. Short press “Menu M” to confirm and exit to menu setting.
10. **Firmware version:** Shortly press “Menu M” to check machine software information. Short press “Menu M” to confirm and exit to menu setting.
11. **Button sound :** Shortly press “Menu M” to enter interface, short press “Play◀◀” or “Play▶▶” to adjust (01-30). Short press “Menu M” to confirm and exit to menu setting.

- **LINE-IN wire recording setting**

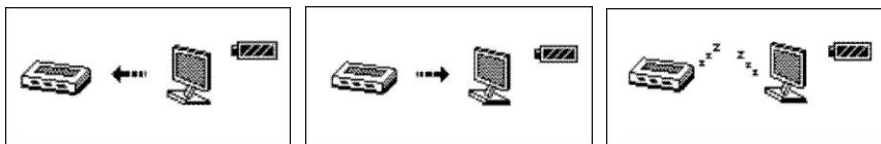
1. To choose music input or to connect (CD player, Recorder, DVD) through LINE-IN port, then press the recording button to record.
2. **External microphone recording:** After connecting an external microphone through LINE-IN interface, and use it by the same way as using built-in microphone.
3. **Telephone recording:** After connecting a telephone box by LINE-IN interface, and use it as the same as using the built-in microphone (in general). (Figure 1)



(Figure 1)

● **Connecting with computer**

1. Connect one port of USB to itself , the other one connect with computer USB.
2. Remove the removable disk properly to avoid missing data.
3. When connecting with computer, it can be used as U-disk. You can upload/download favorite music file or other file by copy. During transfer the data, can' t stop the connection, or it would lead missing data.



During downloading data During uploading data During connection

● **Charge**

1. Connect one port of USB with itself, the other one connect with computer USB. 4 hours can fully charged it, and it will show full of the battery mark (Please turn on the switch during charging). This machine power is provided by charging battery. During

charge, the charging mark will show on the screen, which won' t flicker when fully charged.



2. The battery can be charged and also be discharged, for durable usage of battery. When it shows only one grid power, please charge timely, not charge until use up power.

Technology Specification

Item		Specification			
Space		4GB	8GB	16GB	32GB
32Kbps		280Hr	560Hr	1120Hr	2240Hr
192Kbps		48Hr	96Hr	192Hr	384Hr
384Kbps		24Hr	48Hr	96Hr	192Hr
File quantity		199 pcs			
Recording type		WAV type			
Sampling frequency		16KHz-48KHz			
Frequency		24MHz			
Recording power		7mA-12mA			
Actual maximum output		L) 9mW+ (R) 9mW (320hm)			
External input	Microphone	3.5pie Stereo jack			
	Headphone	3.5pie Stereo jack			
	USB	PC Interface USB1.1/USB2.0 FULL Speed			
Inner microphone output		800mW			
Inner microphone		Dynamic 26mm, 8ohm			
Inner MIC		Non-oriented capacitor microphone			
S/N(Noise ratio)		90dB			
Power; rated voltage		Lithium battery (230MA) : 3.6V-4.2V			
USB input rated voltage/power		5V300MAH-5V500MAH			
Storage		Inserted flash memory			
Operation temperature		-20°C~60°C			
Weight		About 33g			
Size		85mm×36mm×14mm			
Battery life span (The power of charging fully one time)	Record	21 hours			
	Play	8 hours (by earphone)			

Difficulty Solution

Problem	Cause	Solutions
No showing of the LCD	Low battery; Check the power on or off;	Timely charge; Turn on the power;
Recording stop working	Not in the recording state; Low battery; Memory capacity has been raised to the limit or full recording mode;	Turn to recording state; Timely charge; Delete some files or move them to an external device;
Unable to open audio files	Low battery; No audio file; The minimum volume;	Timely charge; Confirm documents; Adjust the volume;
Words on the screen are abnormal	The language selection correctness	Choose correct language
No sound from the speaker	Confirm that there is earphone; The minimum volume; Check the recording format;	Remove the headset; Adjust the volume; Select the correct recording format;
No sound from headphones	Confirm whether the headset is connected properly; The minimum volume; The damaged audio or MP3 files caused the noise or no voice;	Connect the headset properly; Adjust the volume; Check whether audio or MP3 files are damaged, make sure the file integrity;

Unable to properly upload/download the audio file	Check whether the USB cable is damaged; Whether USB connection is normal; Check whether there are gaps in the memory;	Ensure that no damage of the USB connection; Normal USB cable connection; Delete blank memory;
---	---	--