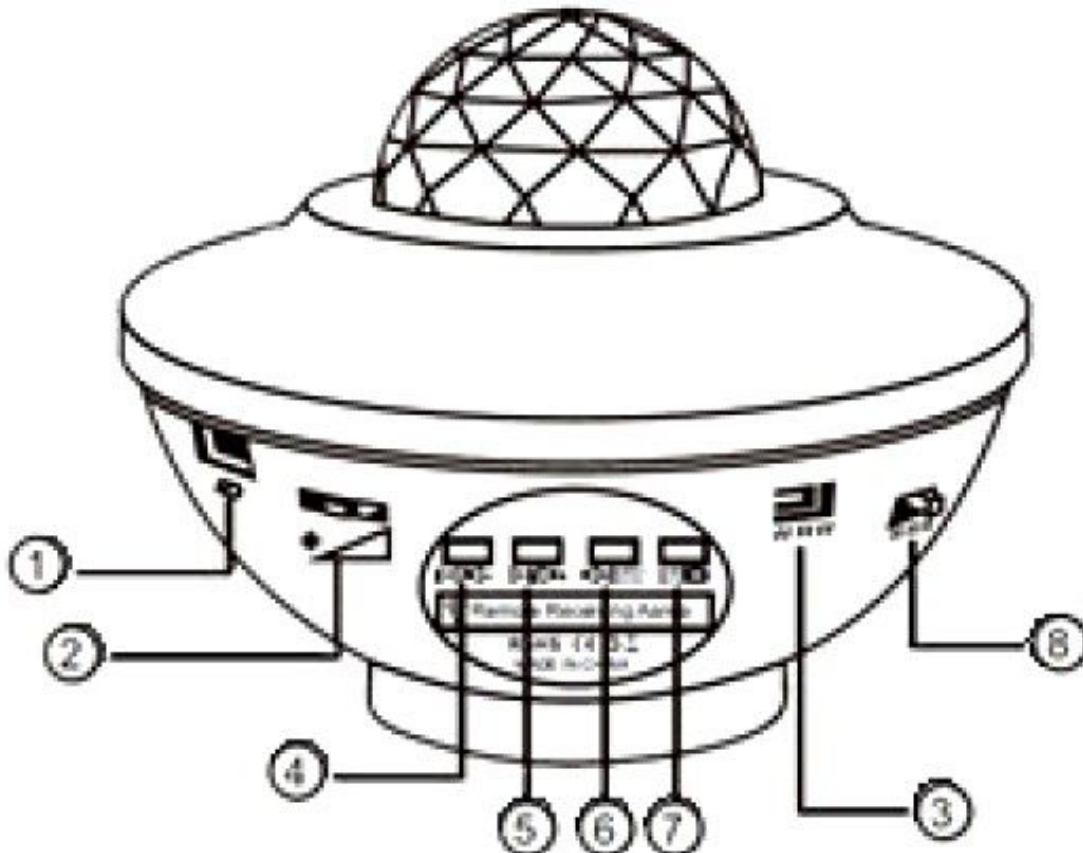


User Manual for Starlight Lamp with Bluetooth Speaker and Remote Control

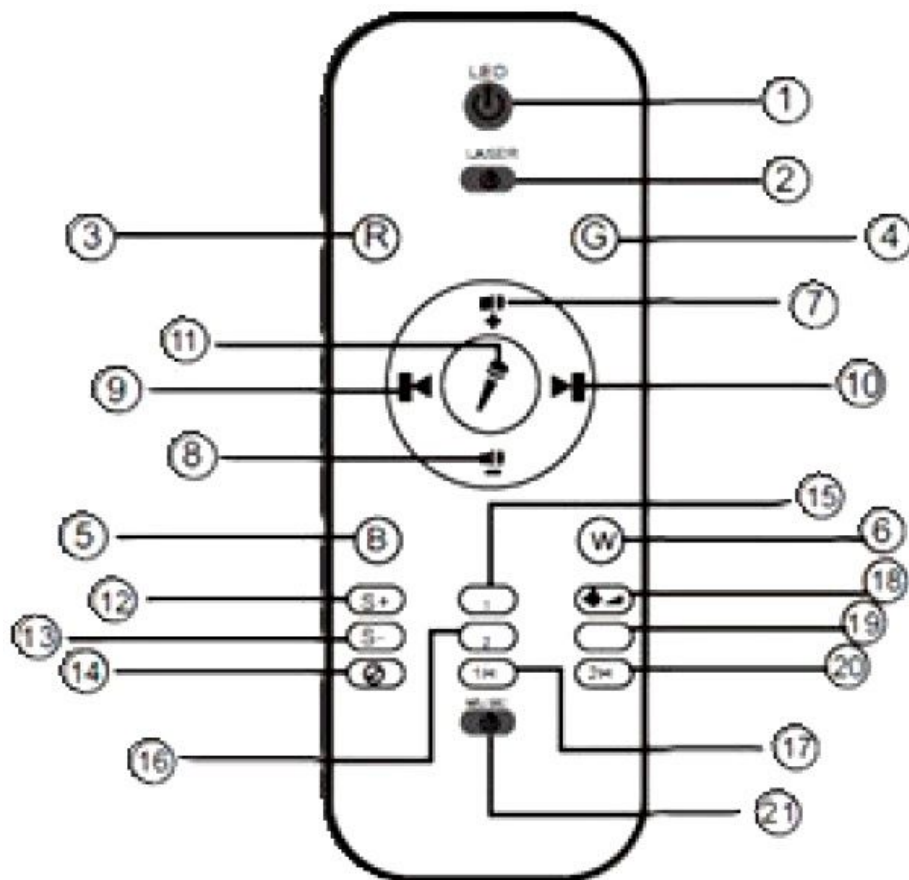


Specifications

- Number of modes: 21
- Timer: 1h, 2h, off
- Power: 6W
- Power source: DC 5V/2A (via USB)
- Dimensions: 13.5 x 13.5 x 10 cm



1. USB port for music
2. Brightness adjustment (short-press for LED and long-press for laser light control)
3. Power input: DC 5V 2A
4. Previous song and volume down
5. Next song and volume up
6. Play/Pause music
7. Switch connection between USB and Bluetooth if both are connected
8. Power On/Off



- | | |
|---|--|
| 1. Control LED light On/Off | 16. Light up circularly RB-RG-RW-BG-BW-GW in double color mode and laser in gradation mode |
| 2. Control Laser light On/Off | 17. Setting the timing function for 1 hour |
| 3. Turning Red light On/Off | 18. Control the LED light brightness |
| 4. Turning Green light On/Off | 19. Control Laser light (switch between continuous or gradation mode) |
| 5. Turning Blue light On/Off | 20. Setting the timing function for 2 hours |
| 6. Turning White light On/Off | 21. Music On/Off |
| 7. Volume up | |
| 8. Volume down | |
| 9. Previous song | |
| 10. Next song | |
| 11. Voice control | |
| 12. Increasing the rotation speed | |
| 13. Decreasing the rotation speed | |
| 14. Canceling the timing function | |
| 15. Lights up circularly R-G-B-W in single color mode and laser in gradation mode | |

Note: Red, Green, Blue, and White colors can be combined by two to form a double-color projection.