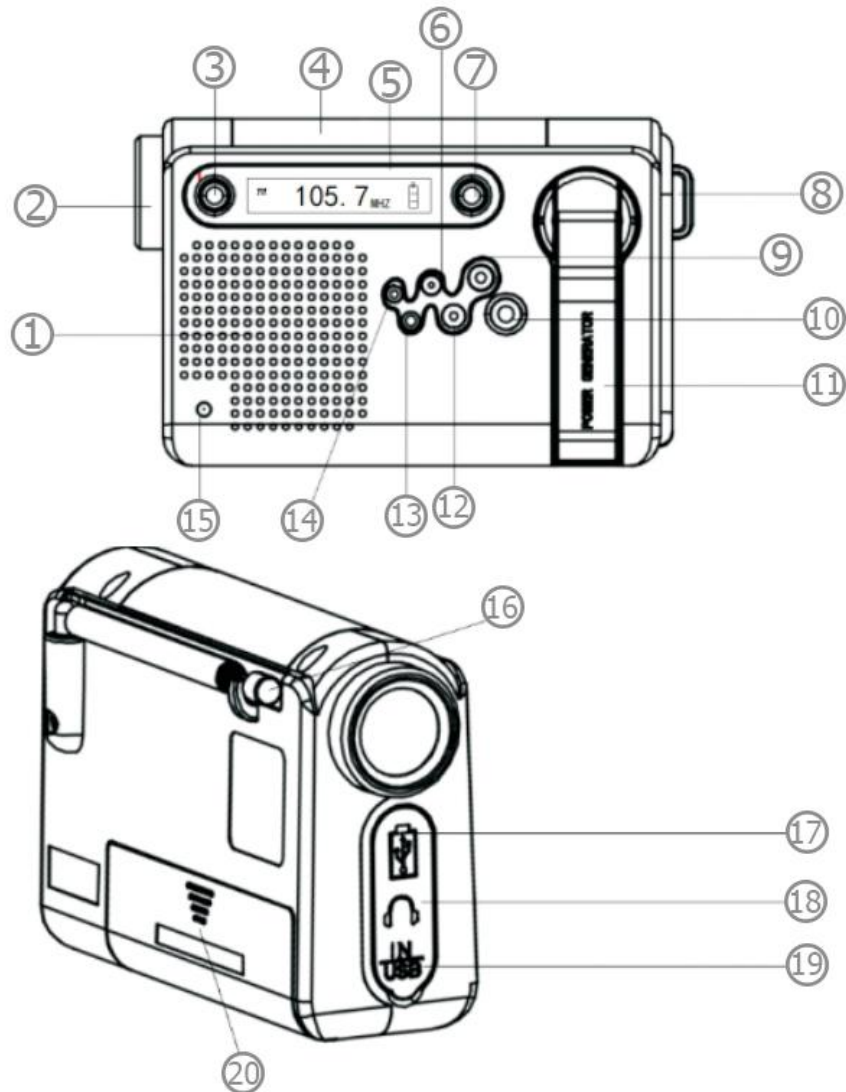


User Manual for HanRongDa HRD-900 Camping Radio with Flashlight and SOS Alarm



Specifications

- FM range: 64.0-108MHz
- AM range: 520-1710KHz
- SW1 range: 3.00-10.00MHz
- SW2 range: 10.00-18.00MHz
- Power consumption: 0.7W
- Battery capacity: 2000mAh
- Dimensions: 12.7 x 6 x 3.6 cm



- | | | |
|-----------------------------|----------------|-------------------------|
| 1. Loudspeaker | 8. Wrist clasp | 15. Charge lamp |
| 2. Flashlight/Warning light | 9. Tune + | 16. Pull rod antenna |
| 3. Torch On/Off | 10. Band/Scan | 17. Output power |
| 4. Solar panel | 11. Hand crank | 18. 3.5mm jack |
| 5. LCD | 12. Tune - | 19. Input power |
| 6. Volume + | 13. Volume - | 20. Battery compartment |
| 7. Power/Sleep | 14. Lock | |



1. FM scan
2. Full automatic scan/Memory station
3. AM unit
4. Battery level
5. FM, SW unit
6. Frequency point/Time/Station address
7. Short Wave
8. Sleep time
9. AM

Features

Before turning the radio On/Off, put the 18650 battery in, and pay attention to the positive and negative poles. The LCD screen will light up and display the time status. Press the Power button to turn on the radio. To turn it off, press the Power button again.

Long-press the Sleep time button and the LCD will display 90. Press it again and it will change sleep time until reaches Off.

To select the broadcast receiving mode, press the Band button to choose between AM, FM, SW1, and SW2. You can fine-adjust the radio station with the minimum step value of 0,1MHz for FM or 0,005MHz for SW. To fine-tune, short-press the Tune + or Tune - buttons, and to rapidly search radio stations, hold the Tune +/- buttons for 1 second. For complete automatic scanning, long-press the Scan button, and the scanning indicator will start flashing in the upper left corner of the display. After completing the automatic scan, press M+ or M- to pick up the station.

To adjust the volume, press the Vol+ or Vol- buttons to increase or decrease the volume from 00 to 31.

To adjust the time, hold the Vol- button for 1 second and the hours will start flashing. Press the Tun+ or Tun- buttons to adjust the hours. Press the Vol- button again to switch to minutes, and adjust them the same as hours. After adjusting the minutes, press the Vol- to confirm or leave the radio for 5 seconds and it will apply the time set. The hour system is set to 24-hour system.

To adjust the alarm, hold the Vol+ button for 1 second and the hours will start flashing. Press the Tun+ or Tun- buttons to adjust the hours. Press the Vol+ button again to switch to minutes, and adjust them the same as hours. After adjusting the minutes, press the Vol+ to confirm or leave the radio for 5 seconds and it will apply the time set. After setting the alarm time, the radio will sound a short beep indicating that the alarm is on, and the alarm symbol will appear in the lower left corner. To cancel the alarm, press the Vol+ button again.