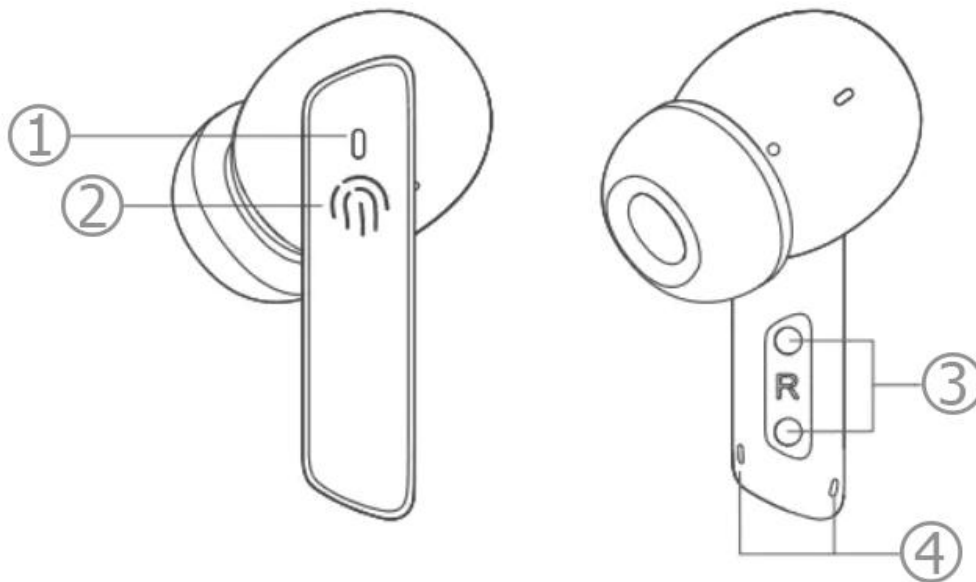


User Manual for Lenovo HT05 TWS Earphones with Bluetooth 5.0



Specifications

- Model: HT05
- Bluetooth: v5.0
- Transmission distance: about 10m
- Speaker sensitivity: 108dB
- Charging case battery capacity: 3.7V, 250mAh
- Earphone battery capacity: 3.7V, 40mAh
- Working time: about 4h
- Water-resistant rating: IPX5
- Charging method for charging case: type-C
- Driver: 10mm



1. LED
2. Touch panel
3. Pogo pins
4. Microphone

Functions

First-Time connection: Pick up both earbuds, pop them back in case then close the lid to activate them. Open the lid, pick up the earbuds and they will auto-power on. On the phone, search OCY Melobuds ANC and tap to connect.

Charging earbuds: LED will glow solid red when earbuds need to be charged and turn white when charged.

Charging case: LED will glow solid red when the case needs to be charged and turn solid white when charged.

Power on: Press and hold the touch panel for 1-2s.

Power off: Put the earbuds into the charging case.

Answer/End phone call: Double-press the touch panel.

Eject the call: Press and hold the touch panel for 1-2s.

Next song: Triple-press the touch panel on the right earbud.

Voice assistant: Triple-press the touch panel on the left earbud.

Play/Pause the song: Double-press the touch panel on the either left or right earbud.

ANC mode: Press and hold the touch panel on the right earbud to switch between ANC, normal, and transparency modes.