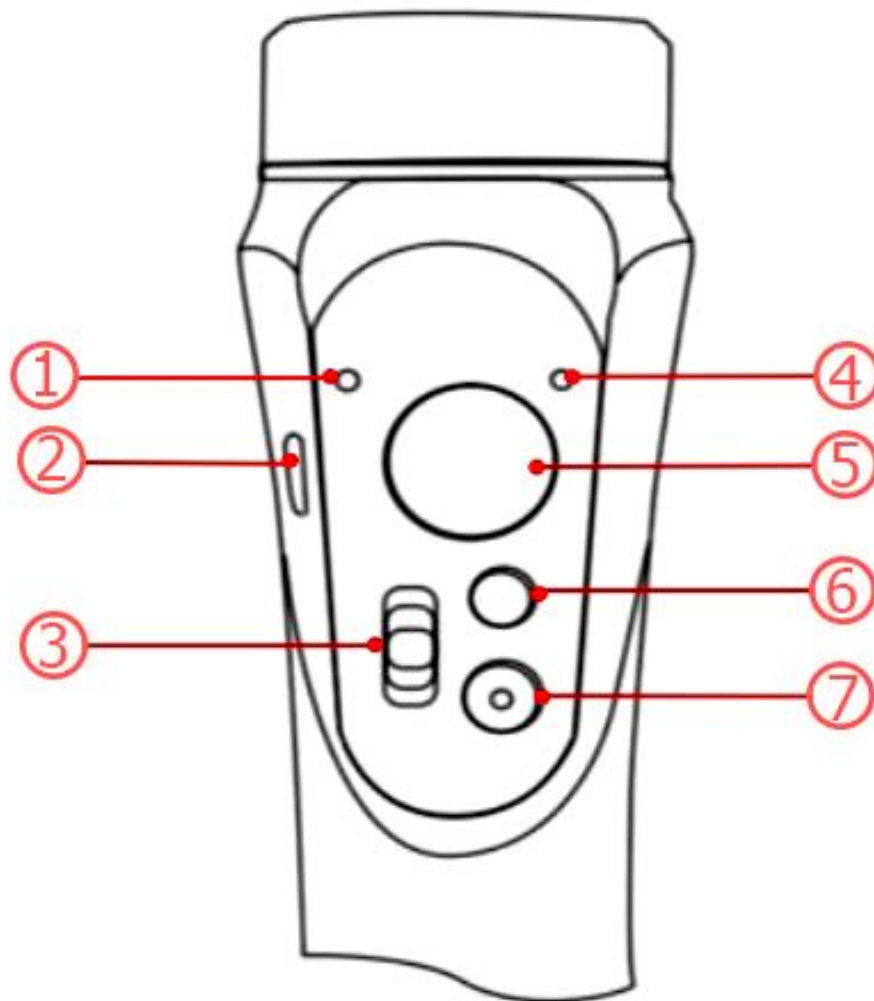


User Manual for Handheld 3-Axis Gimbal Stabilizer F6 with Tripod



Specifications

- Tilt: 320 degrees
- Roll: 180 degrees
- Pan: 320 degrees
- Battery life: 6 hours
- Clamp range: 65mm - 86mm
- Material: ABS+glass fiber
- Dimensions: 29 x 12 x 5cm
- Max load: 250g



1. Charging indicator
2. MicroUSB port
3. Focus lever
4. Working indicator

5. Joystick
6. Power/Mode button
7. Shot button

The charging indicator glows red while charging and turns green when fully charged.

The working indicator flashes red and green while booting. During standby, it glows green, during status transition flashes green. When it flashes red, the battery is low.

The joystick allows you to adjust the shooting angle.

The Power/Mode button lets you switch between the three working modes. To return to the center, double-click the Mode button.

Gimbal Go app

To download the Gimbal Go app go to Play Store for Android or App Store for iOS and search for the app or scan the QR code below:

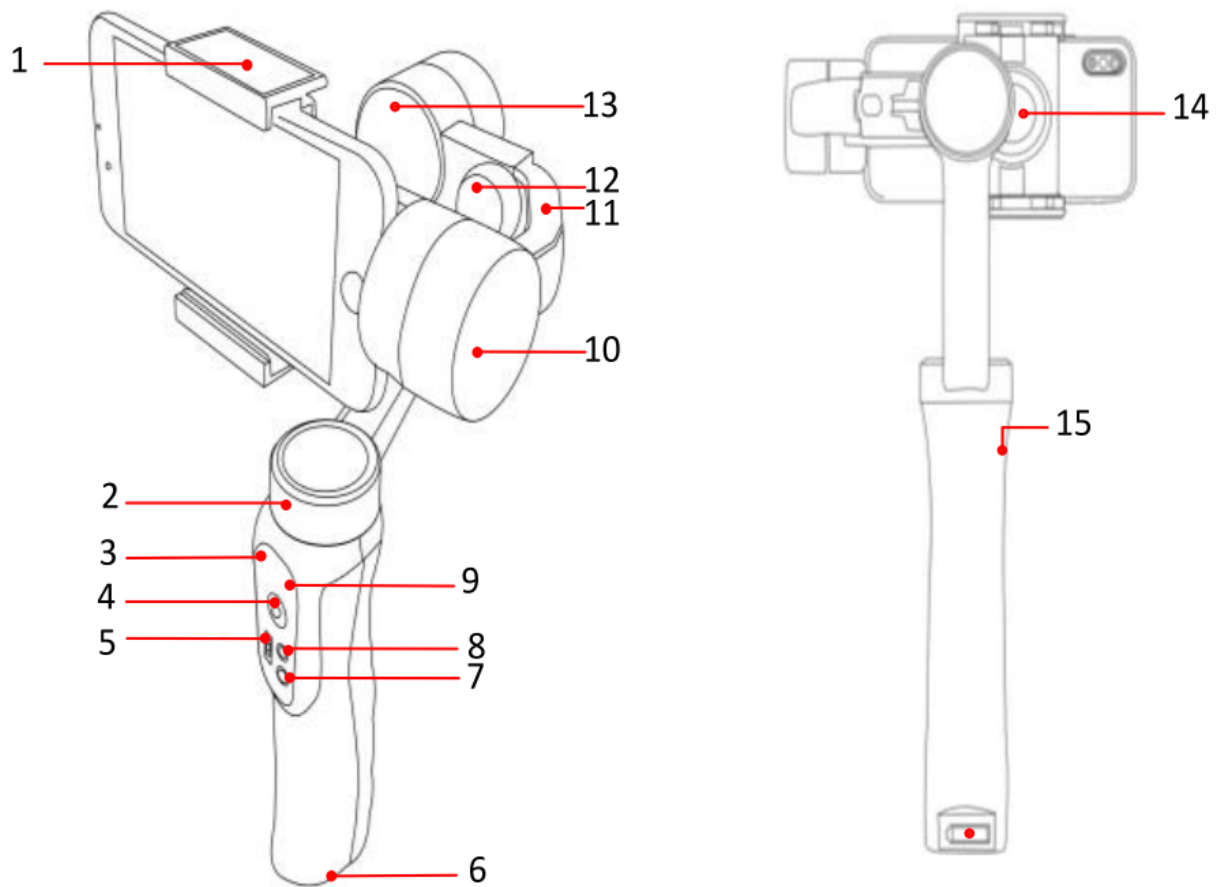


Once you've downloaded and installed the app, open it and pair it with the Gimbal via Bluetooth. Open the camera on your smartphone, adjust the control buttons according to the required mode, and click the camera button to start recording or taking photos.

Mounting and installing

To install the phone into the gimbal pull the phone clip away and then put your smartphone and secure it in the side motor slot. When it tilts down due to the weight of the phone, loosen the balance shaft adjustment knob, and slide the telescopic arm left and right to adjust the balance so that the smartphone returns to the horizontal line. That means the gimbal works normally.

To charge the gimbal use the charging cable and plug it into the microUSB port on the side of the gimbal. The other side of the cable plugs into your power adapter (not included in the package).



1. Smartphone holder
2. Heading axis motor
3. Charging indicator
4. Joystick
5. Focus lever
6. 1/4" mounting hole
7. Shot button
8. Power/Mode button

9. Working indicator
10. Pitch axis motor
11. Telescopic boom
12. Balance shaft adjustment knob
13. Roll axis motor
14. Bracket lock button
15. MicroUSB port